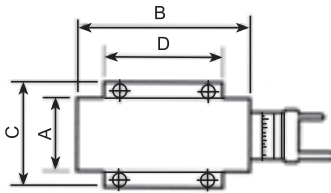


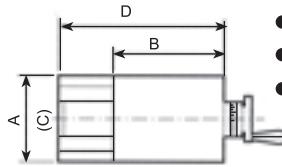


# One Way Acme Thread Slide Table



ST-75 ST-100 ST-125

- Material : FC-30
- Precision :  $\pm 0.01 / 100\text{mm}$



STA-160 STA-165 STA-200  
STA-205 STA-300 STA-305

- Material : FC-30
- Precision :  $\pm 0.01 / 100\text{mm}$
- FEATURE : The sliding surfaces are treated by heat-treatment & precision ground

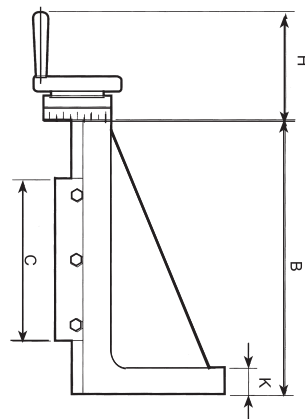
## •Specifications

Unit: mm

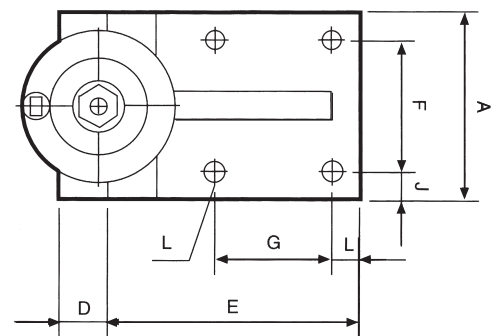
ORDER NO.	A x B Table surface	C x D Base area	Stroke	Total height	Dial graduation	WEIGHT kgs	CODE NO.
ST-75	75x180	105x155	75	60	2.5x0.02	6.5	7002-540
ST-100	100x235	140x150	100	70	2.5x0.02	9.5	7002-541
ST-125	125x300	165x255	125	80	4.0x0.02	18.5	7002-542
STA-160	160x200	160x300	100	90	4.0x0.02	20.0	7002-543
STA-165	160x200	160x400	200	90	4.0x0.02	23.0	7002-544
STA-200	200x300	200x400	100	120	4.0x0.02	38.0	7002-545
STA-205	200x300	200x600	300	120	4.0x0.02	50.0	7002-546
STA-300	300x350	300x500	150	188	4.0x0.02	98.0	7002-547



# Vertical Dovetail Slide Table



- Material : FC-30
- Precision :  $\pm 0.01 / 100\text{mm}$
- FEATURE : The sliding surfaces are treated by heat-treatment & precision ground  
Dial graduation 4.0x0.02mm



## •Specifications

Unit: mm

ORDER NO.	A	B	C	D	E	F	G	H	I	J	K	L	WEIGHT kgs	CODE NO.
SE-100	100	255	150	25	130	70	60	120	15	15	26	∅10x4	15	7002-560
SE-150	150	385	200	40	185	110	90	120	20	20	35	∅13x4	35	7002-561
SE-200	200	510	250	60	240	160	140	135	20	20	40	∅17x4	67	7002-562
SE-250	250	600	300	60	280	200	160	140	25	25	40	∅17x4	115	7002-563