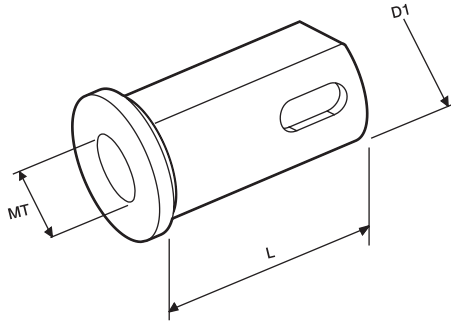




Reducing Sleeves

TYPE RS-MT TE

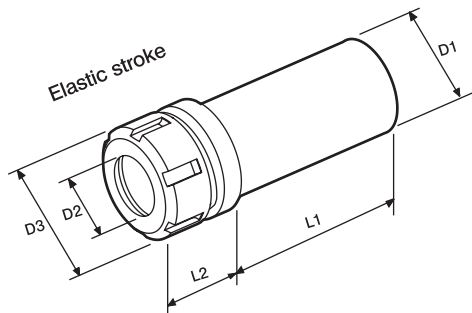


RS-MT

- Tool holders with mores taper according to DIN 228

DIMENSIONS

D1	L	MT			
		1	2	3	4
32	65	E32-MT1	E32-MT2	E32-MT3	E32-MT4
40	75	E40-MT1	E40-MT2	E40-MT3	E40-MT4
50	85	E50-MT1	E50-MT2	E50-MT3	E50-MT4



TE

- Auto taper with cylindric shaft
- To be used for collet DIN 6499

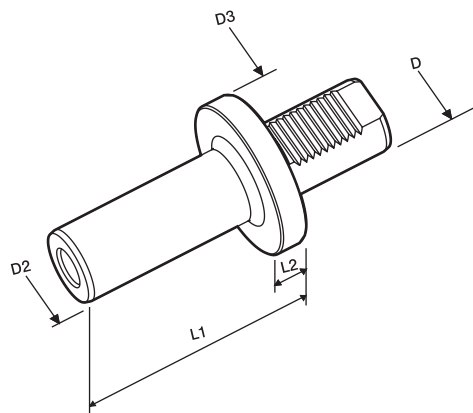
DIMENSIONS

Order No.	D1	D2		D3	L1	L2	CODE NO.
TE25-ER16	25	1-10	M3-M12	ER16 32	70.5	30	5006-363
TE32-ER20	32	2-13	M3-M16	ER20 35	65	40	5006-364
TE40-ER25	40	2-16	M4-M20	ER25 42	75	43	5006-365
TE50-ER32	50	3-20	M6-M24	ER32 50	85	48	5006-366



DIN 69880 Test Mandrel

TYPE TB1



DIMENSIONS

Order No.	D DIN 69880	D2	D3	L1	L2	CODE NO.
TB1-30	30	30	68	115	15	5006-367
TB1-40	40	40	83	115	15	5006-368
TB1-50	50	50	98	115	15	5006-369