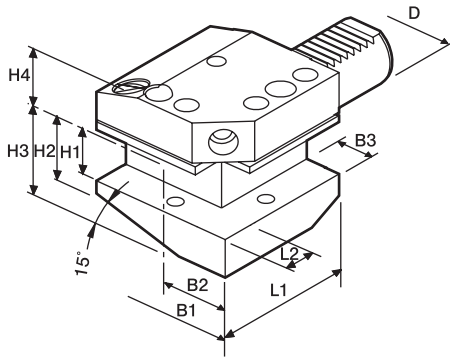




DIN 69880 Combined Stacit Holders TYPE CB1 CB2

CB1

- External Coolant Supply
- Right-hand

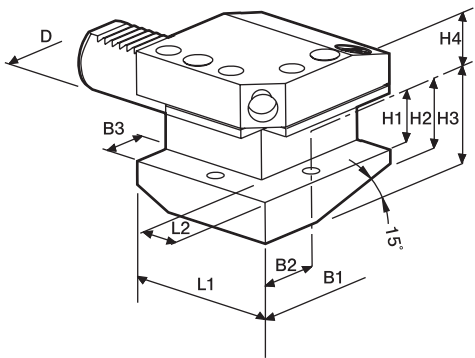


DIMENSIONS

Order No.	D	B1	B2	B3	H1	H2	H3	H4	L1	L2	CODE NO.
CB1-20x16	20	65	40	14	16	19	30	25	50	14	5006-240
CB1-30x20	30	74	40	18	20	26	38	28	70	18	5006-241
CB1-40x25	40	85	45	22	25	35	48	32.5	100	22	5006-242
CB1-50x32	50	105	55	25	32	42	60	35	120	25	5006-243
CB1-60x32	60	125	62.5	30	32	46	62.5	42.5	135	30	5006-244

CB2

- Left-hand
- External Coolant Supply



DIMENSIONS

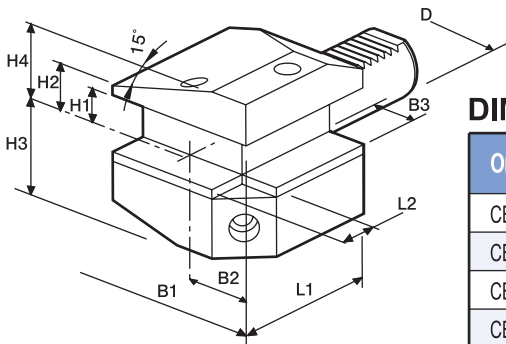
Order No.	D	B1	B2	B3	H1	H2	H3	H4	L1	L2	CODE NO.
CB2-20x16	20	65	40	14	16	19	30	25	50	14	5006-245
CB2-30x20	30	74	40	18	20	26	38	28	70	18	5006-246
CB2-40x25	40	85	47	22	25	35	48	32.5	100	22	5006-247
CB2-50x32	50	105	55	25	32	42	60	35	120	25	5006-248
CB2-60x32	60	125	62.5	30	32	46	62.5	42.5	135	30	5006-249



DIN 69880 Combined Stacit Holders TYPE CB3 CB4

CB3

- External Coolant Supply
- Right-hand

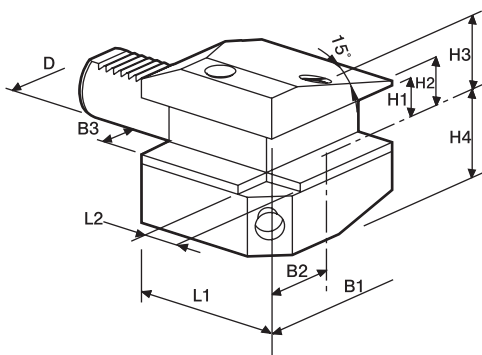


DIMENSIONS

Order No.	D	B1	B2	B3	H1	H2	H3	H4	L1	L2	CODE NO.
CB3-20x16	20	65	40	14	16	19	30	25	50	14	5006-250
CB3-30x20	30	74	40	18	20	22	38	28	70	18	5006-251
CB3-40x25	40	85	45	22	25	30	48	32.5	100	22	5006-252
CB3-50x32	50	105	55	25	32	35	60	35	120	25	5006-253
CB3-60x32	60	125	62.5	30	32	42.5	62.5	42.5	135	30	5006-254

CB4

- Left-hand
- External Coolant Supply



DIMENSIONS

Order No.	D	B1	B2	B3	H1	H2	H3	H4	L1	L2	CODE NO.
CB4-20x16	20	65	40	14	16	19	30	25	50	14	5006-255
CB4-30x20	30	74	40	18	20	22	38	28	70	18	5006-256
CB4-40x25	40	85	47	22	25	30	48	32.5	100	22	5006-257
CB4-50x32	50	105	55	25	32	35	60	35	120	25	5006-258
CB4-60x32	60	125	62.5	30	32	42.5	62.5	42.5	135	30	5006-259