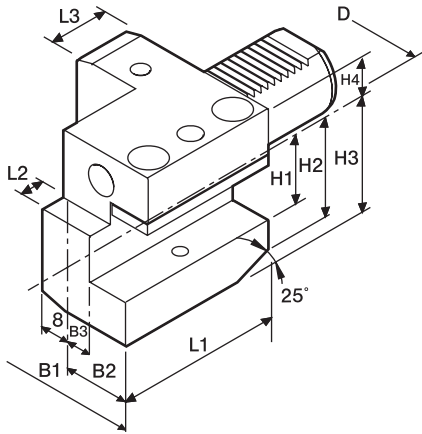




DIN 69880 Axial Stacit Holders

TYPE C1 C2

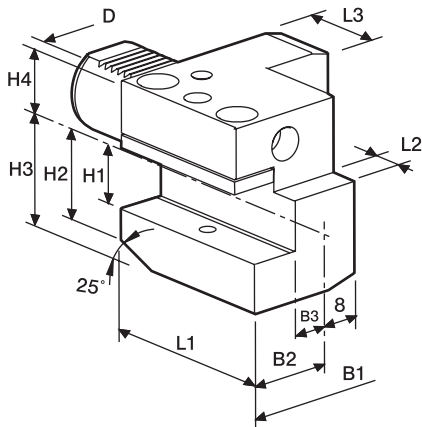


C1

- Right-hand
- External Coolant Supply

DIMENSIONS

Order No.	D	B1	B2	B3	H1	H2	H3	H4	L1	L2	L3	CODE NO.
C1-20x16	20	65	40	26	16	23	30	25	50	7	30	5006-220
C1-30x20	30	70	35	17	20	28	38	28	70	10	30	5006-221
C1-40x25	40	85	42.5	21	25	-	48	32.5	85	12.5	30	5006-222
C1-50x32	50	100	50	26	32	-	60	35	100	16	40	5006-223
C1-60x32	60	125	62.5	33	32	-	62.5	42.5	125	16	40	5006-224



C2

- External Coolant Supply
- Left-hand

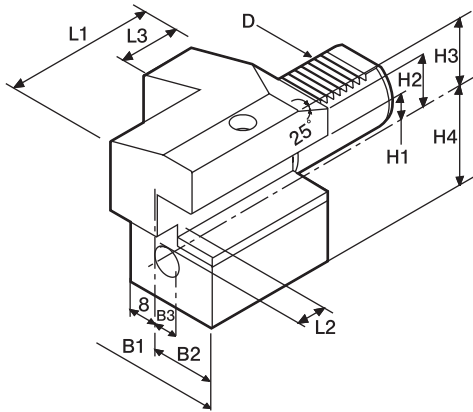
DIMENSIONS

Order No.	D	B1	B2	B3	H1	H2	H3	H4	L1	L2	L3	CODE NO.
C2-20x16	20	65	40	26	16	23	30	25	50	7	30	5006-225
C2-30x20	30	76	41	23	20	28	38	28	70	10	30	5006-226
C2-40x25	40	90	47.5	25.5	25	-	48	32.5	85	12.5	30	5006-227
C2-50x32	50	105	55	30.5	32	-	60	35	100	16	40	5006-228
C2-60x32	60	125	62.5	33	32	-	62.5	42.5	125	16	40	5006-229



DIN 69880 Axial Stacit Holders

TYPE C3 C4

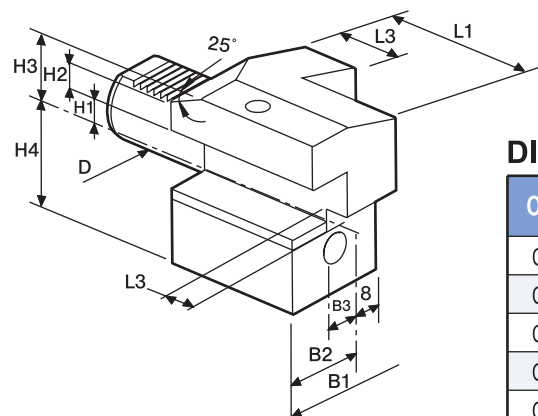


C3

- Right-hand
- External Coolant Supply

DIMENSIONS

Order No.	D	B1	B2	B3	H1	H2	H3	H4	L1	L2	L3	CODE NO.
C3-20x16	20	65	40	26	16	23	30	25	50	7	30	5006-230
C3-30x20	30	70	35	17	20	28	38	35	70	10	30	5006-231
C3-40x25	40	85	42.5	21	25	-	48	42.5	85	12.5	30	5006-232
C3-50x32	50	100	50	26	32	-	60	50	100	16	40	5006-233
C3-60x32	60	125	62.5	33	32	-	62.5	62.5	125	16	40	5006-234



C4

- External Coolant Supply
- Left-hand

DIMENSIONS

Order No.	D	B1	B2	B3	H1	H2	H3	H4	L1	L2	L3	CODE NO.
C4-20x16	20	65	40	26	16	23	30	25	50	7	30	5006-235
C4-30x20	30	76	41	23	20	28	38	35	70	10	30	5006-236
C4-40x25	40	90	47.5	25.5	25	-	48	42.5	85	12.5	30	5006-237
C4-50x32	50	105	55	30.5	32	-	60	50	100	16	40	5006-238
C4-60x32	60	125	62.5	33	32	-	62.5	62.5	125	16	40	5006-239