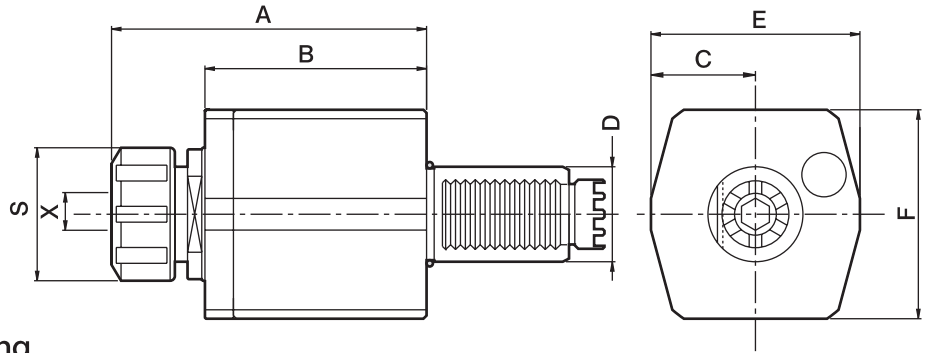
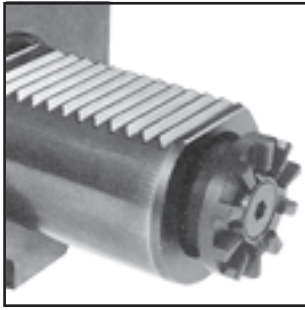




# Axial Drilling And Milling Heads - For "Diplomatic" Type TYPE SPUR COUPLING-IT



- Power Transmission According To "DIPLOMATIC"
- IT: Fron-side Coupling □ is Elastic Stroke

- External coolant supply
- To be used for collet DIN 6499
- Collet is not included.

## DIMENSIONS

Order No.	D DIN 69880	X Capacity	S	Maximum R.P.M.	i	A	B	C	E	F	CODE NO.
DA30IT25	30	1-16 ER25	42	6000	1:1	86	55	33	66	66	5006-143
DA40IT32	40	2-20 ER32	50	6000	1:1	89	55	39	79	78	5006-144
DA50IT40	50	3-26 ER40	63	6000	1:1	123	81.5	40	84	88	5006-145

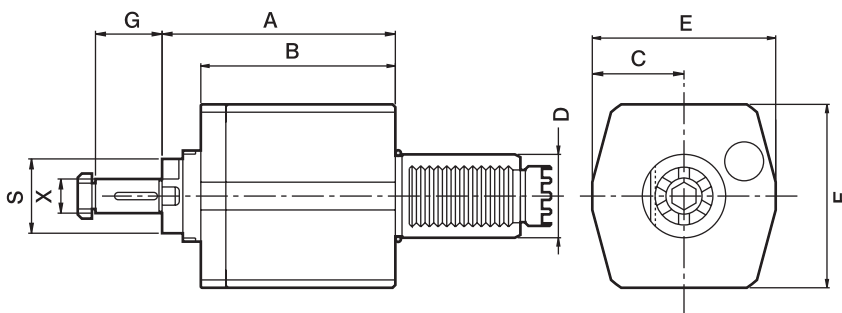
# Axial Tapping Heads

## DIMENSIONS

Order No.	D DIN 69880	X Capacity	S	Maximum R.P.M.	i	A	B	C	E	F	CODE NO.
TDA30IT16	30	1-10 ER16	32	3000	1:1	109	55	33	66	66	5006-146
TDA40IT20	40	1-13 ER20	35	3000	1:1	120	55	39	79	78	5006-147
TDA50IT25	50	1-16 ER25	42	3000	1:1	136	81.5	40	84	88	5006-148



# Axial Milling Heads TYPE SPUR COUPLING-IT



- To be used for cutter arbor according to DIN 6358
- External coolant and intermediate rings supply.

## DIMENSIONS

Order No.	D DIN 69880	X DIN 6358	S	Maximum R.P.M.	i	A	B	C	E	F	G	CODE NO.
DA30IT16C	30	16	32	3000	1:1	71	55	33	66	66	27	5006-149
DA40IT16C	40	16	32	3000	1:1	68.5	55	39	79	78	27	5006-150
DA40IT22C	40	22	32	3000	1:1	68.5	55	39	79	78	31	5006-151
DA50IT22C	50	22	40	3000	1:1	95.5	81.5	40	84	88	31	5006-152
DA50IT27C	50	27	40	3000	1:1	95.5	81.5	40	84	88	33	5006-153