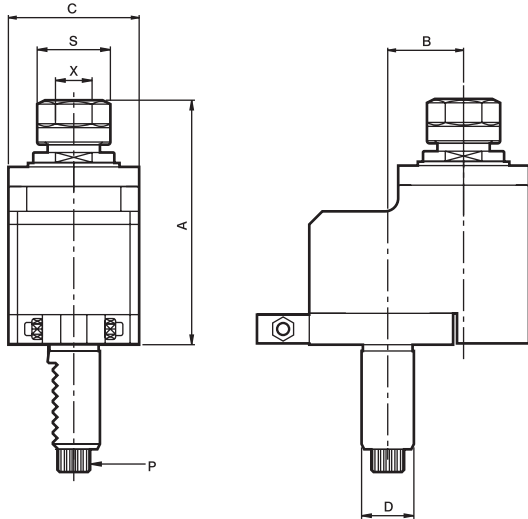




# Axial Drilling And Milling Heads

TYPE DIN 5482

OFFSET TYPE



- To be used for collet DIN 6499
- Collet is not included.
- External coolant supply

## DIMENSIONS

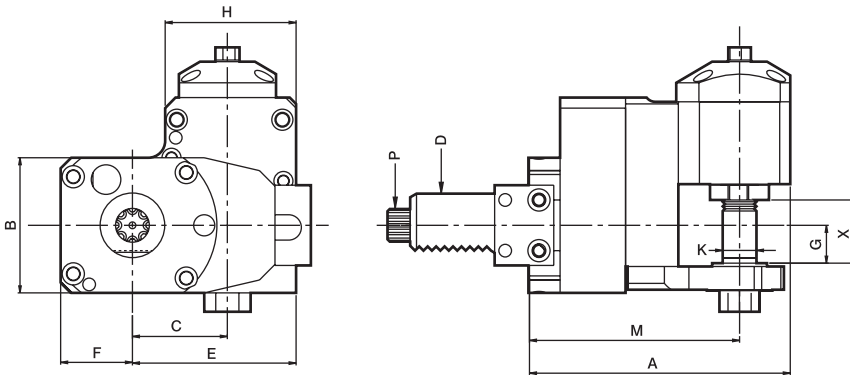
Order No.	D DIN 69880	X Capacity	S	Maximum R.P.M.	i	A	B	C	P DIN 5482	CODE NO.
DA3054822529	30	1-16 ER25	42	4000	1:1	100	29	60	B15X12	5006-097
DA3054822529/1	※ 30	1-16 ER25	42	8000	1:2	100	29	60	B15X12	5006-098
DA4054823250	40	2-20 ER32	50	4000	1:1	113	50	80	B17X14	5006-099
DA5054824065	50	3-26 ER40	63	3000	1:1	124	65	86	B20X17	5006-100



# Radial Milling Heads

TYPE DIN 5482

DISK CUTTER UNITS



- External coolant supply

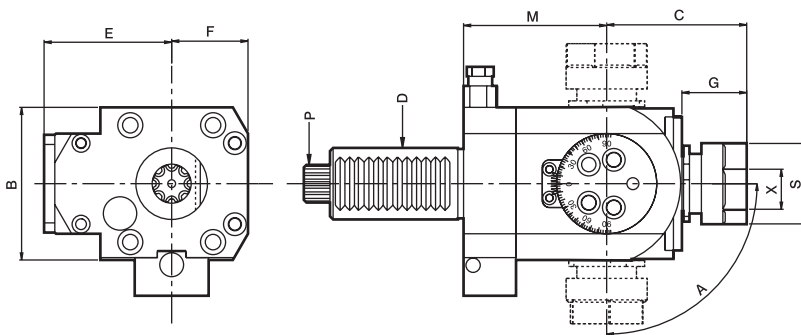
## DIMENSIONS

Order No.	D DIN 69880	X Capacity	Maximum R.P.M.	i	A	B	C	E	F	G	H	K	M	P DIN 5482	CODE NO.
BR30548216C/3 BL30548216C/3	30	16.6	3000	3:1	124	64	45	77.5	34	18	62	16	100	B15X12	5006-101



# Angular Heads

TYPE DIN 5482



- To be used for collet DIN 6499
- Collet is not included.
- External coolant supply

## DIMENSIONS

Order No.	D DIN 69880	X Capacity	Maximum R.P.M.	i	A	B	C	E	F	G	M	P DIN 5482	CODE NO.
DA30548216B	30	1-10 ER16	4000	1:1	±90°	64	59	54	32	27	60	B15X12	5006-102