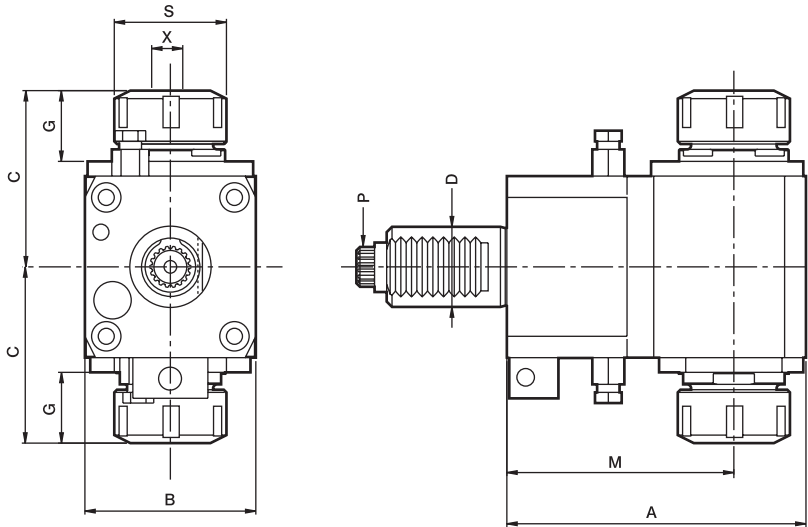




# Radial Double Drilling And Milling Heads TYPE DIN 5480



- Collet is not included.
- External coolant supply
- To be used for collet DIN 6499

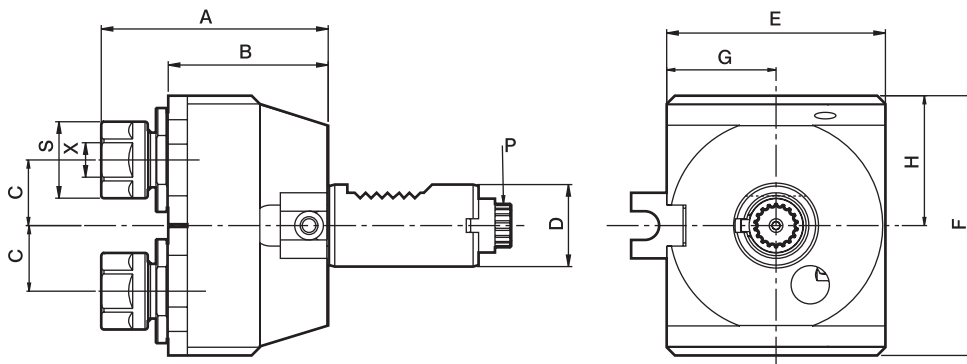
## DIMENSIONS

Order No.	D DIN 69880	X Capacity	S	Maximum R.P.M.	i	A	B	C	G	M	P DIN 5480	CODE NO.
DF3054802585D	30	1-16 ER25	42	4000	1:1	112	64	66	26.5	85	W16X0.8	5006-062
DF4054803285D	40	2-20 ER32	42	4000	1:1	119	80	82	28	85	W20X0.8	5006-063
DF40548032100D	40	2-20 ER32	50	4000	1:1	134	80	82	28	100	W20X0.8	5006-064



# Axial Double Drilling And Milling Heads TYPE DIN 5480

**DOUBLE COLLETS, Y OFFSET**



- Collet is not included.
- External coolant supply
- To be used for collet DIN 6499

## DIMENSIONS

Order No.	D DIN 69880	X Capacity	S	Maximum R.P.M.	i	A	B	C	E	F	G	H	P DIN 5480	CODE NO.
DA30548016DY	30	1-10 ER16	32	4000	1:1	83	58.5	24	80	95	40	47.5	W16X0.8	5006-065