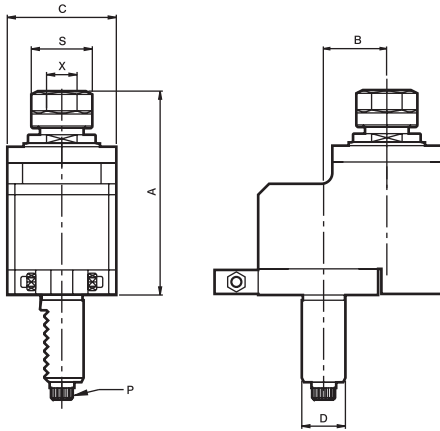




# Axial Drilling And Milling Heads-Offset

TYPE DIN 5480

OFFSET



- Collet is not included.
- To be used for collet DIN 6499
- External coolant supply

## DIMENSIONS

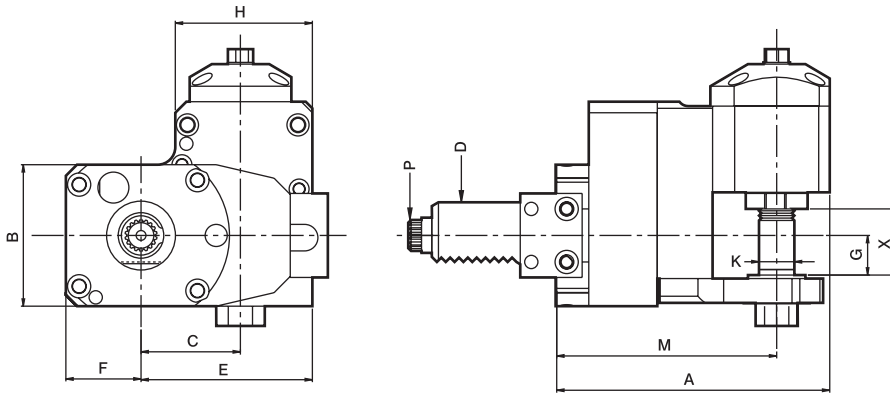
Order No.	D DIN 69880	X Capacity	S	Maximum R.P.M.	i	A	B	C	P DIN 5480	CODE NO.
DA3054802529	30	1-16 ER25	42	4000	1:1	100	29	60	W16X0.8	5006-057
DA3054802529/1	* 30	1-16 ER25	42	8000	1:2	100	29	60	W16X0.8	5006-058
DA4054803250	40	2-20 ER32	50	4000	1:1	113	50	80	W20X0.8	5006-059



# Radial Drilling And Milling Heads

TYPE DIN 5480

DISK CUTTER UNITS



- External coolant supply

## DIMENSIONS

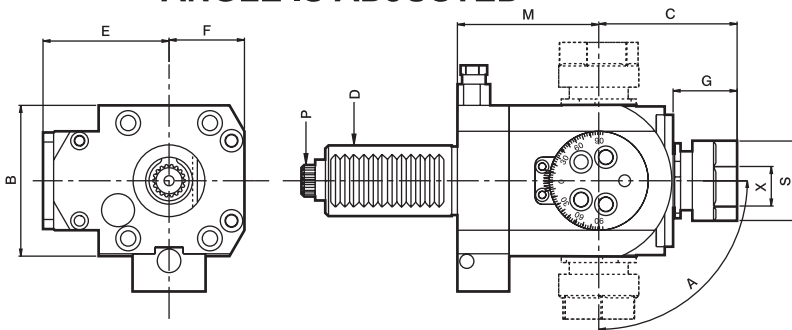
Order No.	D DIN 69880	X Capacity	Maximum R.P.M.	i	A	B	C	E	F	G	H	K	M	P DIN 5480	CODE NO.
BR30548016C/3 BL30548016C/3	30	16.6	3000	3:1	124	64	45	77.5	34	18	62	16	100	W16X0.8	5006-060



# Angular Heads

TYPE DIN 5480

ANGLE IS ADJUSTED



- Collet is not included.
- To be used for collet DIN 6499
- External coolant supply

## DIMENSIONS

Order No.	D DIN 69880	X Capacity	Maximum R.P.M.	i	A	B	C	E	F	G	M	P DIN 5480	CODE NO.
DA30548016B	30	1-10 ER16	4000	1:1	±90°	64	59	54	32	27	60	W16X0.8	5006-061