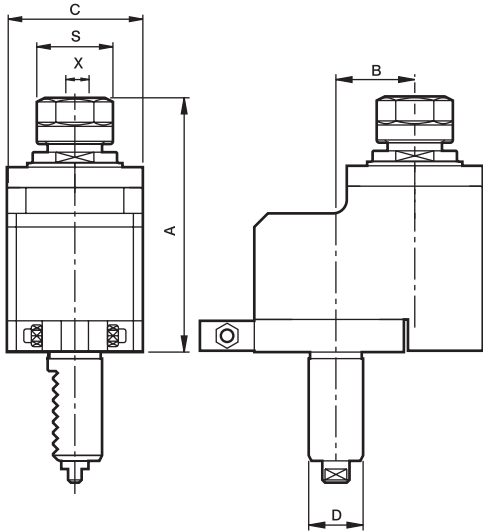




Axial Drilling And Milling Heads TYPE DIN 1809



OFFSET

- Collet is not included.
- To be used for collet DIN 6499
- External coolant supply

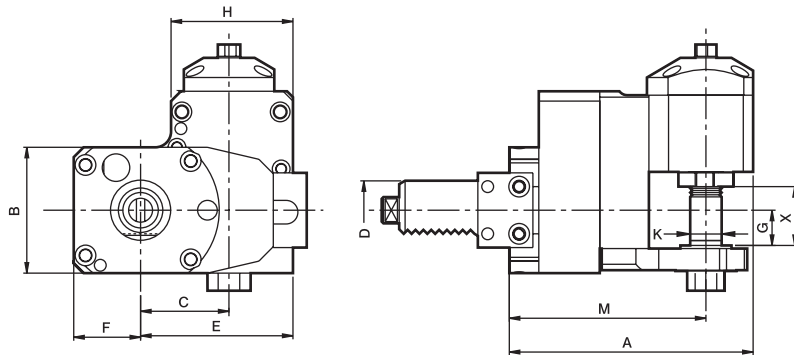
DIMENSIONS

Order No.	D DIN 69880	X Capacity	S	Maximum R.P.M.	i	A	B	C	CODE NO.
DA2018091629	20	1-10 ER16	32	4000	1:1	93.5	29	50	5006-030
DA3018092529	30	1-16 ER25	42	4000	1:1	100	29	60	5006-031
DA3018092529/1	※ 30	1-16 ER25	42	8000	1:2	100	29	60	5006-032
DA4018093250	40	2-20 ER32	50	4000	1:1	113	50	80	5006-033
DA5018094065	50	3-26 ER40	63	3000	1:1	124	65	80	5006-034

i is speed ratio example: 1:2. It's 2 times of speed



Radial Milling Heads TYPE DIN 1809



DISK CUTTER UNITS

- External coolant supply

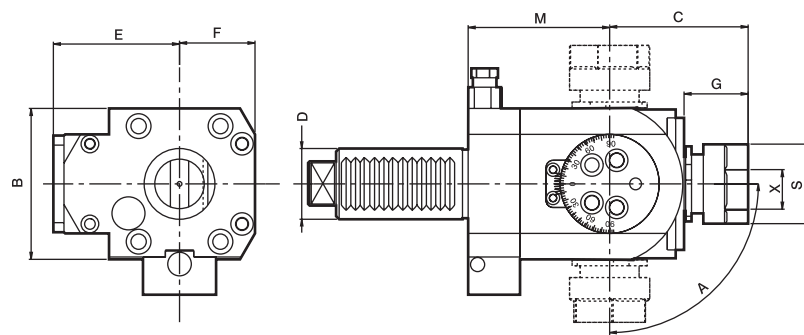
DIMENSIONS

i, (3:1), It's 3 times of speed decrease

Order No.	D DIN 69880	X Capacity	Maximum R.P.M.	i	A	B	C	E	F	G	H	K	M	CODE NO.
BR30180916C/3 BL30180916C/3	30	16.6	3000	3:1	124	64	45	77.5	34	18	62	16	100	5006-035



Angular Heads TYPE DIN 1809



THE ANGLE IS ADJUSTED

- To be used for collet DIN 6499
- External coolant supply
- Collet is not included.

DIMENSIONS

Order No.	D DIN 69880	X Capacity	Maximum R.P.M.	i	A	B	C	E	F	G	M	CODE NO.
DA30180916B	30	1-10 ER16	4000	1:1	±90°	64	58.5	53.5	32	27	60	5006-036