



VDI Tool Holders

DIN69880

Coupling Type System

A DIN 1809 (For DUPLOMATIC)



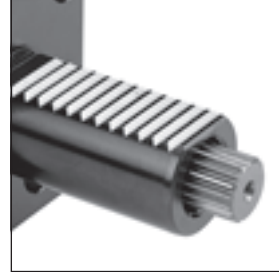
Coupling to DIN 1809

B DIN 5480 (For SAUTER/DUPLOMATIC)



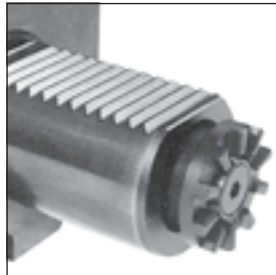
Coupling to DIN 5480

C DIN 5482 (For SAUTER/DUPLOMATIC)



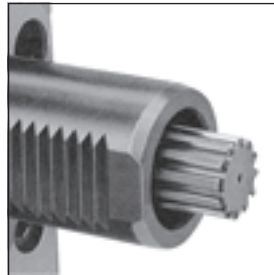
Coupling to DIN 5482

D MT (For BARUFFALDI)



Spur Coupling

E IT (For DUPLOMATIC)



Spur Coupling

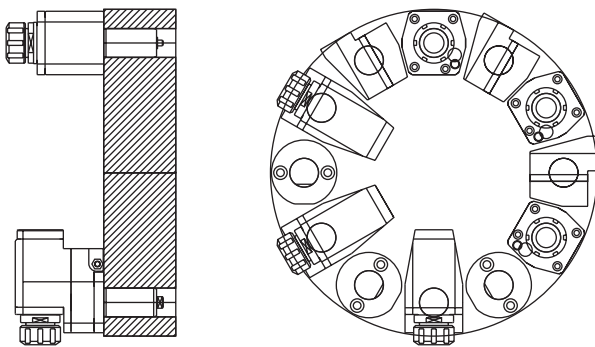


VDI Tool Holders

DIN69880

Tool Holders Direction System

A: Axial Direction



B: Radial Direction (Star Turret)

