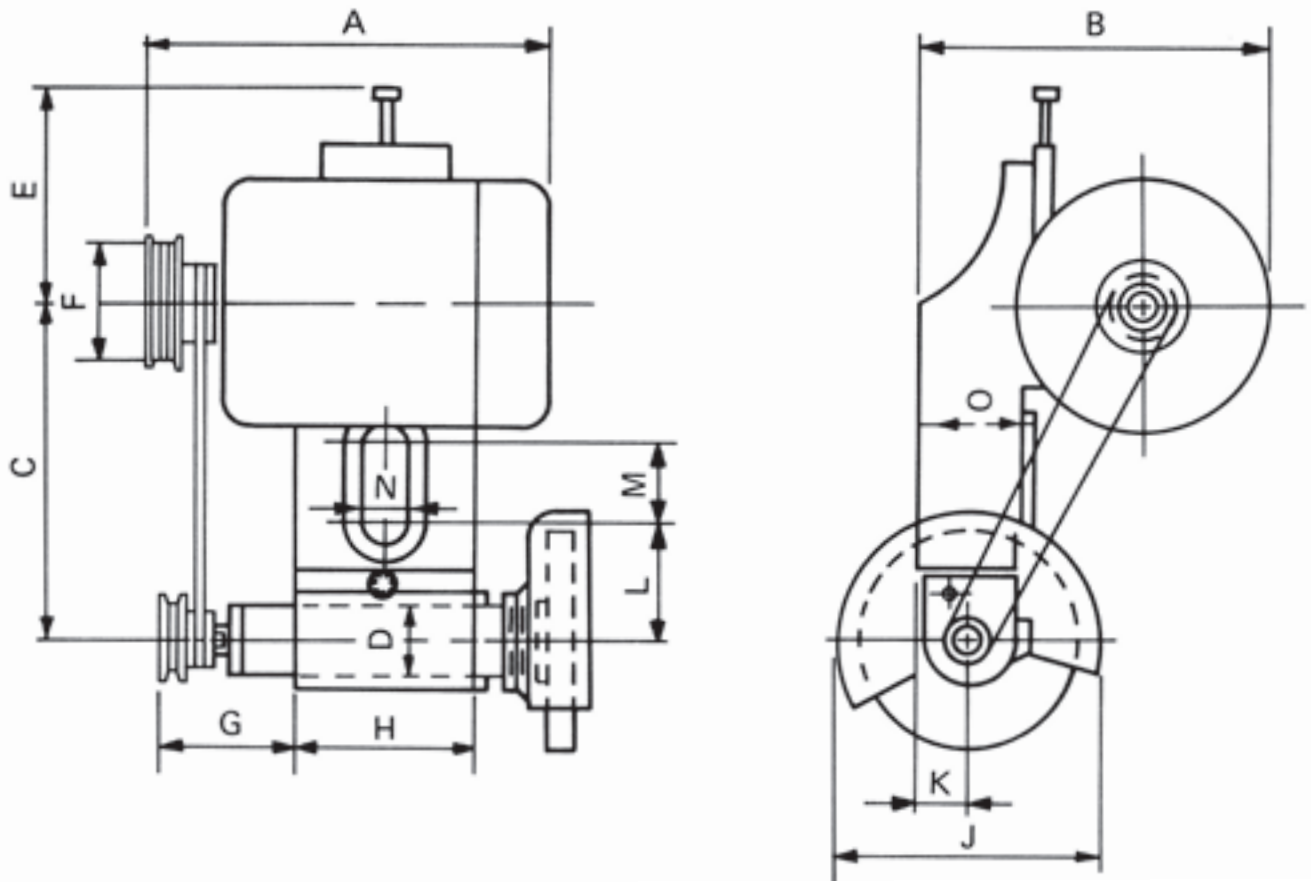




Tool Post Grinder ON Lathe



| ORDER NO. | Main Dimension. (mm) | | | | | | | | | | | | | | Net weight (kg) | Packing size (mm) |
|-----------|----------------------|-----|---------|----|-----|-----|-----|-----|-----|-------|-----|----|----|-----|-----------------|-------------------|
| | A | B | C | D | E | F | G | H | J | K | L | M | N | O | | |
| VGR-185 | 352 | 350 | 300-340 | 80 | 180 | 138 | 85 | 190 | 330 | 45-70 | 140 | 40 | 32 | 120 | 80 | 700x500x520 |
| VGR-175 | 315 | 300 | 260-320 | 60 | 170 | 138 | 120 | 104 | 280 | 45-70 | 135 | 40 | 30 | 92 | 75 | 650x460x460 |
| VGR-165 | 280 | 275 | 260-310 | 50 | 160 | 110 | 65 | 102 | 230 | 40-65 | 105 | 40 | 30 | 85 | 48 | 520x430x350 |
| VGR-150 | 280 | 275 | 250-300 | 48 | 160 | 110 | 65 | 102 | 150 | 40-65 | 105 | 40 | 30 | 85 | 38 | 520x430x350 |
| VGR-125 | 270 | 230 | 230-280 | 48 | - | 110 | 65 | 92 | 150 | 34-58 | 90 | 15 | 25 | 75 | 35 | 520x430x350 |
| VGR-100 | 235 | 200 | 170 | 40 | - | 110 | 50 | 80 | 150 | 28 | 45 | 10 | 25 | 64 | 24 | 450x320x340 |

| ORDER NO. | HP | External Spindle | | Internal Spindle | | | | Grinder on Lather (Length of Bed of Lather) Ft. | CODE NO. | |
|-----------|------|--------------------------------|-------------------------|-----------------------|----------------------------------|-------------------------|---------------------|---|----------|----------|
| | | Size of Wheel dia x width-hole | (R.P.M.) Non-load Speed | Diameter to be ground | Size of wheel dia x width x hole | (R.P.M.) Non-load Speed | Grinding Depth (mm) | | | |
| VGR-185 | 3 | 12"x1"x1" | 60 cycle | 50 cycle | - | - | - | - | over 12 | 5004-001 |
| | 1930 | | 1600 | | | | | | | |
| VGR-175 | 2 | 10"x1"x1" | 2300 | 1930 | - | - | - | - | 10-12 | 5004-002 |
| VGR-165 | 1 | 8"x3/4"x3/4" | 3000 | 2490 | 25-50 | 1"x3/8"x1/4" | 20000 | 16800 | 8-10 | 5004-003 |
| | | | 3700 | 3070 | | | 13500 | 11500 | | |
| VGR-150 | 1 | 5"x5/8"x5/8" | 4500 | 3750 | 19-40 | 1"x3/8"x1/4" | 20000 | 16800 | 6-8 | 5004-004 |
| | | | 6000 | 5000 | | | 13500 | 11500 | | |
| VGR-125 | 1/2 | 5"x5/8"x5/8" | 4500 | 3750 | 19-40 | 1"x3/8"x1/4" | 20000 | 16800 | 4-6 | 5004-005 |
| | | | 6000 | 5000 | | | 13500 | 11500 | | |
| VGR-100 | 1/4 | 5"x5/8"x5/8" | 4500 | 3750 | 19-40 | 1"x3/8"x1/4" | 20000 | 16800 | under 4 | 5004-006 |
| | | | 6000 | 5000 | | | 13500 | 11500 | | |