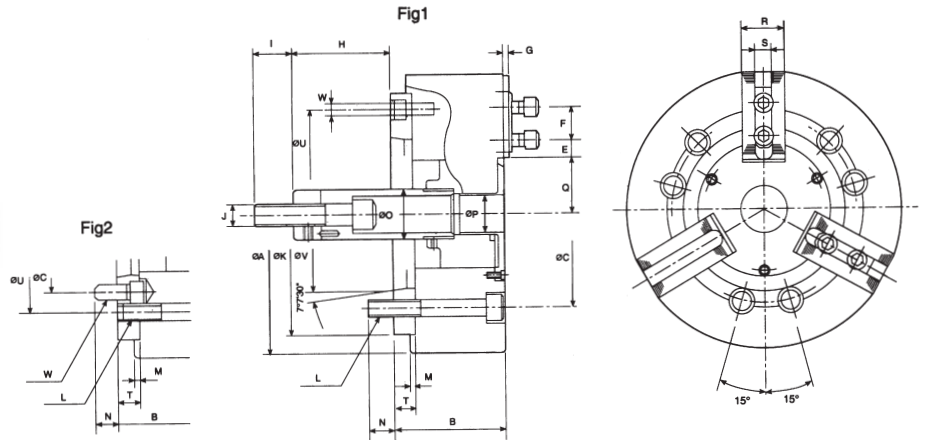




3-Jaw wedge Type Non Through-hole Power Chuck(Without Adaptor)



1. Direct mounting: Direct mount for VA series chucks onto short taper spindle of ASA and JIS standards.
2. High performance: Similar high performance to V series.
3. Chuck mounting screws: Metric or UNC socket head cap screws are supplied for bolting the chuck to the spindle.
4. Alternative spindle adaptors: ASA or DIN adaptors can be supplied to fit machine spindle.

SPECIFICATIONS

Unit:mm

Dim	ORDER NO.	V-206A5	V-208A6	V-210A6	V-210A8	V-212A8	V-215A8	V-215A11
Jaw Stroke(mm)		9.2	9.7	8.8	8.8	10.5	16	16
Plunger Stroke(mm)		20	21	25	25	30	35	35
Max.Pull Force(kgf)		1835	2549	2957	2957	4181	8362	8362
Max.Gripping Force(kg)		5253	7548	10013	10013	15807	25391	25391
Max.Operating Pressure(kgt/cm ²)		25.5	24.5	28.6	28.6	27.5	30.6	30.6
Max.Speed(r.p.m.)		5000	4000	3500	3500	3000	2800	2800
Weight(kg)		12.5	24.4	40.65	37.15	61.75	105	103
Moment of Inertia I(kgf.m ²)		0.045	0.317	0.3	0.3	0.725	1.8	1.8
Matching Cylinder		MS105 MH100	MS125 MH125	MS125 MH125	MS125 MH125	MS150 MH150	MS150 MH150	MS200 MH200
Matching Soft Jaw		HC06	HC08	HC10	HC10	HC12-1	HC15-1	HC15-1
Matching Hard Jaw		HJ06	HJ08	HJ10	HJ10	HJ12-1	HJ15-1	HJ15-1
CODE NO.		5002-090	5002-091	5002-092	5002-093	5002-094	5002-095	5002-096

DIMENSIONS

Unit:mm

Dim	ORDER NO.	V-206A5	V-208A5	V-208A6	V-210A6	V-210A8	V-212A8	V-215A8	V-215A11
A		165	210	210	254	254	304	381	381
B		84	103	97	109	102	118	141	130
C		104.78	104.78	133.35	133.35	171.45	171.45	171.45	235
F		20	25	25	30	30	30	43	43
K		140	170	170	220	220	220	300	300
L		6-M10	6-M12	6-M12	6-M16	6-M16	6-M16	6-M16	6-M20
M		5	5	5	5	5	6	6	6
N		14	13	18	18	25	25	24	32
P		21	21	25	34	34	34	-	-
T		15	23	17	25	18	18	33	22
V		82.563	82.563	106.375	106.375	139.719	139.719	139.719	196.869
U		116	133.35	150	171.45	190	190	235	260
E max.		15.25	22.25	22.25	30.75	30.75	48.75	50.25	50.25
E min.		9.25	11.75	11.75	11.25	11.25	12.75	23.25	23.25
G		4	5	5	5	5	5	2	2
H max.		89.6	109	115	133	140	145	71	82
H min.		69.6	88	94	108	115	115	36	47
I		36	36	36	36	36	36	55	55
J		M16x2.0	M20x2.5	M20x2.5	M20x2.5	M20x2.5	M20x2.5	M30x3.5	M30x3.5
O		34	38	38	45	45	50	60	60
Q max.		38.7	46.75	46.3	51.1	51.1	61	77.5	77.5
Q min.		34.1	41.9	41.9	46.7	46.7	55.75	69.5	69.5
R		31	35	35	40	40	50	50	50
S		12	14	14	16	16	18	25.5	25.5
W		3-M6	6-M10	3-M6	6-M12	6-M8	6-M8	6-M16	3-M10
REFER FIG.		Fig-1	Fig-2	Fig-1	Fig-2	Fig-1	Fig-1	Fig-2	Fig-1