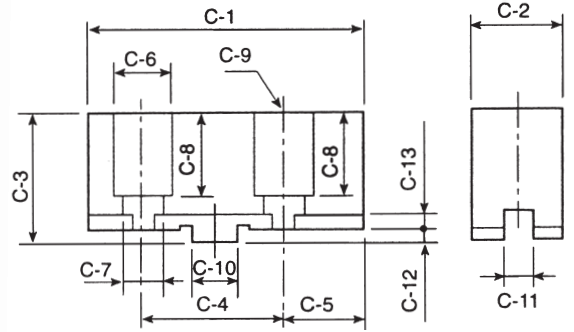




# Soft Jaw For SK-Type Chuck

1. Soft jaw for SK-type chuck. 2. Manufactured in specification.



Unit:mm

THE SPECIAL OF HEIGHT (C-3) FOR VSJ-TYPE IS AVAILABLE

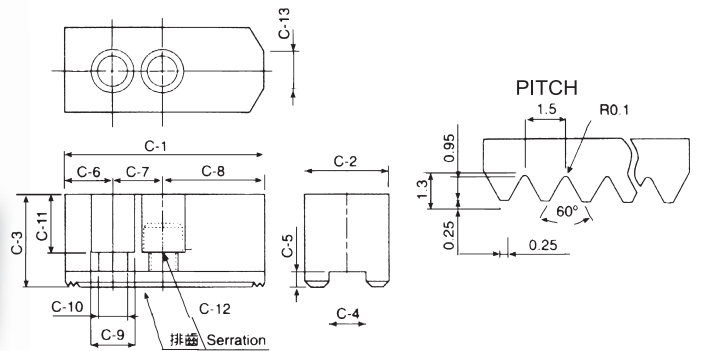
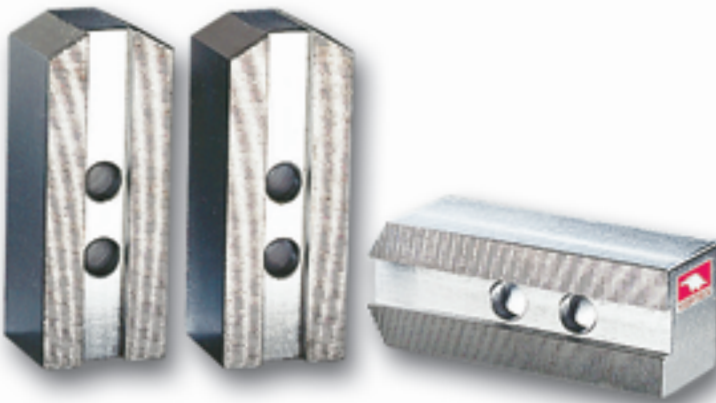
DIM ORDER NO.	C-1	C-2	C-3	C-4	C-5	C-6	C-7	C-8	C-9	C-10	C-11	C-12	C-13	WEIGHT	CODE NO.
VSJ-6	75	26	38	38.1	18	14	8.5	27	M8	12.68	7.94	3	3.5	1.36	5002-300
VSJ-7	95	31	48	44.45	25	17	11	35	M10	12.68	7.94	3	3.5	2.63	5002-301
VSJ-8	95	31	48	44.45	25	17	11	35	M10	12.68	7.94	3	3.5	2.63	5002-302
VSJ-9	110	37	50	53.98	28	19	13	36	M12	19.03	12.7	3	3.5	3.70	5002-303
VSJ-10	110	37	50	53.98	28	19	13	36	M12	19.03	12.7	3	3.5	3.70	5002-304
VSJ-12	125	40	54	63.5	32	19	13	40.5	M12	19.03	12.7	3	3.5	5.19	5002-305
VSJ-16	160	50	70	76.2	42	25	17	48	M16	19.03	12.7	6	5.5		5002-306

MODEL ORDER NO.	VSJ-6	VSJ-7 VSJ-8	VSJ-9	VSJ-10	VSJ-12
50H	VSJ-6-5	VSJ-8-5	VSJ-9-5	VSJ-10-5	VSJ-12-5
60H	VSJ-6-6	VSJ-8-6	VSJ-9-6	VSJ-10-6	VSJ-12-6
70H	VSJ-6-7	VSJ-8-7	VSJ-9-7	VSJ-10-7	VSJ-12-7
80H	VSJ-6-8	VSJ-8-8	VSJ-9-8	VSJ-10-8	VSJ-12-8
90H			VSJ-9-9	VSJ-10-9	VSJ-12-9
100H			VSJ-9-10	VSJ-10-10	VSJ-12-10



# Soft Jaw Hydraulic Power Chucks

1. Soft jaw for SK-type chuck. 2. Soft jaw for CNC lathe.



Unit:mm

THE SPECIAL OF HEIGHT (C-3) FOR VHC-TYPE IS AVAILABLE

DIM ORDER NO.	C-1	C-2	C-3	C-4	C-5	C-6	C-7	C-8	C-9	C-10	C-11	C-12	C-13	WEIGHT	CODE NO.
VHC-05	54	23	25	10	4	12	14	28	13.5	8.5	16	M8	8		5002-330
VHC-06	73	32	36	12	6	15	20	38	17	11	23	M10	14	1.5	5002-331
VHC-08	95	35	37	14	6	24	25	54	19	13	28	M12	16	2.35	5002-332
VHC-10	110	40	42	16	6	30	30	50	19	13	27	M12	18	3.65	5002-333
VHC-12	130	50	50	21	6	39	30	60	23		30	M16	18	6.51	5002-334
VHC-15	165	62	62	22	6	37	43	85	32	21	38	M20	-		5002-335
VHC-12-1	130	50	50	18	5	39	30	60	23	15	30	M14	18	6.51	5002-336
VHC-15-1	135	50	60	25.5	5	26	43	66	32	21	39	M20	-		5002-337

MODEL ORDER NO.	VHC-05	VHC-06	VHC-08	VHC-10	VHC-12 18SLOT	VHC-12 21SLOT	VHC-15
50H	VHC-05-5	VHC-06-5	VHC-08-5	VHC-10-5	VHC-12-5A	VHC-12-5	VHC-15-5
60H	VHC-05-6	VHC-06-6	VHC-08-6	VHC-10-6	VHC-12-6A	VHC-12-6	VHC-15-6
70H	VHC-05-7	VHC-06-7	VHC-08-7	VHC-10-7	VHC-12-7A	VHC-12-7	VHC-15-7
80H	VHC-05-8	VHC-06-8	VHC-08-8	VHC-10-8	VHC-12-8A	VHC-12-8	VHC-15-8
90H				VHC-10-9	VHC-12-9A	VHC-12-9	VHC-15-9
100H				VHC-10-10	VHC-12-10A	VHC-12-10	VHC-15-10