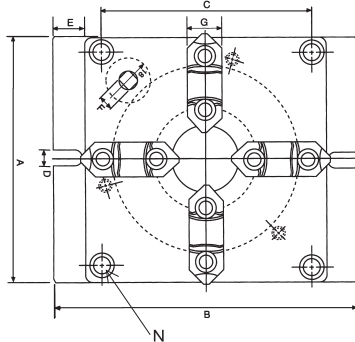
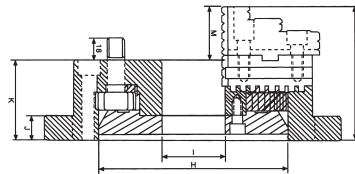
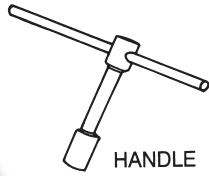




Machining Jaw Chuck



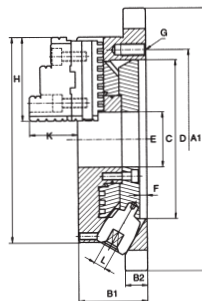
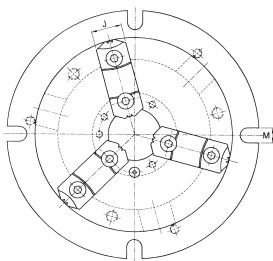
- Works are gripped firmly by the formed jaws, ensuring high precision. (Deviation: within 0.03mm)
- * Use forming rings (jaw locks) to form the soft-jaws.
- Large workpieces can be held tight with the low profile vise body.
- Able to grip square works by using this chuck as a two-way jaw unit, *The fixed jaw (optional) is necessary. Longitudinal works can also be gripped by using the bore of this chuck with the cover removed.
- A dust cover is provided and this keeps the shavings from entering the machine.
- The handle is set on the face and does not interfere with the table. A number of chucks can be used together.

Unit:mm

ORDER NO.	A	B	C	D	E	G	H	I	J	K	L	M	N	MAX. GRIPPING DIAMETER		WEIGHT(kg)	CODE NO.
														CLAMPING DIA	PROPING DIA		
VMJ-6	165	215	144	18	50	26	130	40	18	57	96	39	4-M10	ø4-ø128	ø55-ø128	13.7	5002-240
VMJ-8	200	250	174	18	50	28	160	55	20	65	108	43	4-M12	ø5-ø162	ø62-ø162	21.5	5002-241
VMJ-10	250	310	218	18	60	32	200	70	22	72	122	50	4-M14	ø6-ø200	ø72-ø200	35.6	5002-242
VMJ-12	310	380	274	22	70	40	260	100	25	85	141	56	4-M16	ø10-ø265	ø90-ø265	61.7	5002-243



Super Thin Chucks



1. The angle between "HANDLE" AND "BASE OF CHUCK" is 30° degree, There Fore, it is much more convenient for "HANDLE" rotation.
2. This "POWER SUPER THIN" design of chuck may increase the "allowable length" of machining operation.
3. The flanged type design make it easily for loading and unloading operation.
4. "POWERFUL TYPE" design, may be used with hard jaws or soft jaws alternatively.

SPECIFICATIONS

Unit:mm

ORDER NO.	DIM														Weight (kg)	Gripping Range		CODE NO.
	A1	A2	B1	B2	C	D	E	F	G	H	J	K	L	M		O.D.range	I.D.range	
VNBK-6	220	170	58	18	130	147	45	6	3-M10	68	26	40	10	13	11	ø8-160	ø48-150	5002-070
VNBK-8	270	210	65	20	155	172	60	6	3-M10	85	28	45	11	13	19.5	ø11-200	ø62-190	5002-071
VNBK-10	315	255	73	20	190	210	80	6	3-M12	93	32	52	12	16	29.5	ø12-250	ø72-240	5002-072
VNBK-12	370	305	80	22	250	285	105	6	3-M12	117	40	59	14	18	42.5	ø15-300	ø86-290	5002-073