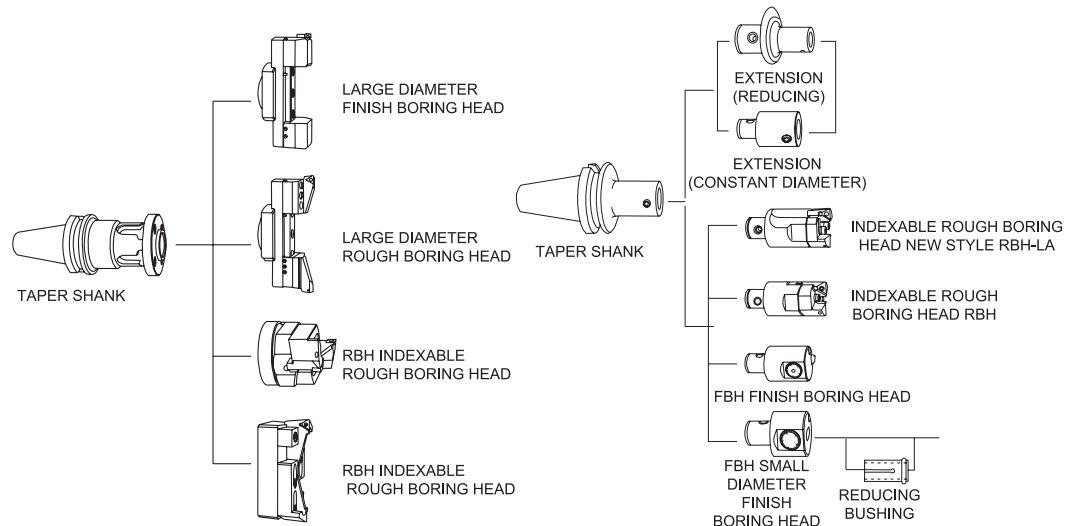




Modular Boring Systems

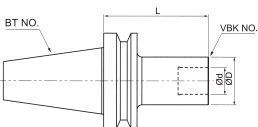
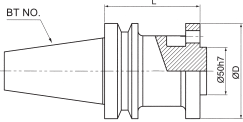


Taper Shank For Boring Heads Series BST, VBK

BST SERIES



VBK SERIES



ORDER NO.	Length (L)	External Diameter (D)	Applicable Boring Heads	Weight (kg)	CODE NO.
BT40-VBK1-70	70	19	FBH20	1.2	3220-220
BT40-VBK2-70	70	23	RBH25 ; FBH25	1.3	3220-221
BT40-VBK3-80	80	30	RBH32 ; FBH32	1.45	3220-222
BT40-VBK4-70	70	38	RBH40 ; FBH40 ; CBI4	1.5	3220-223
BT40-VBK4-100	100			1.7	3220-224
BT40-VBK5-60	60	50	RBH52 ; FBH25 ; CBI5	1.8	3220-225
BT40-VBK5-80	80			1.95	3220-226
BT40-VBK6-55	55	64	RBH68 ; RBH92 ; FBH68 FBH100 ; FBH150 ; CBI6	2.15	3220-227
BT40-BST-90	90	95	RBH120 ; FBH200 RBH120 and above ; FBH200 and above	3.2	3220-228
BT50-VBK1-85	85	19	FBH20	3.5	3220-229
BT50-VBK2-105	105	23	RBH25 ; FBH25	4	3220-230
BT50-VBK2-135	135			4.2	3220-231
BT50-VBK3-110	110	30	RBH32	4.4	3220-232
BT50-VBK3-140	140			4.6	3220-233
BT50-VBK4-100	100	38	RBH40	4.8	3220-234
BT50-VBK4-160	160			5.2	3220-235
BT50-VBK5-90	90	50	RBH52	5.4	3220-236
BT50-VBK5-165	165			6.2	3220-237
BT50-VBK5-210	210			6.4	3220-238
BT50-VBK6-85	85			5.9	3220-239
BT50-VBK6-155	155	64	RBH68 ; RBH92 ; FBH68 FBH100 ; FBH150 ; CBI6	6.5	3220-240
BT50-VBK6-215	215			6.9	3220-241
BT50-BST-105	105	95	RBH120 RBH120 and above ; FBH200 and above ; large diameter boring heads series	5.71	3220-242
BT50-BST-150	150			7.41	3220-243
BT50-BST-200	200			8.79	3220-244
BT50-BST-250	250			10.26	3220-245
BT50-BST-300	300			11.25	3220-246

Large Diameter Twin-bit Rough Boring

New Modular Style For Diameter Over 200mm

Boring diameter from $\varnothing 200$ - $\varnothing 810$ mm



Boring Head Type	ORDER NO.	RBH 200LA	RBH 300LA	RBH 400LA	RBH 500LA	RBH 600LA	RBH 700LA
Length (kg) Total Weight		130 9.7 kg	130 11.7 kg	130 13.7 kg	130 15.7 kg	130 17.7 kg	130 19.7 kg
D(mm) Boring Diameter		200-310	300-410	400-510	500-610	600-710	700-810
Module	Taper Shank	BT50-BST / NT50-BST BT50-BST / NT50-BST Series					
	Flange (kg)Weight	BR200 2.7 kg					
	ExtensionSlide (kg)Weight	RST200 3.4 kg	RST300 5.4 kg	RST400 7.4 kg	RST500 9.4 kg	RST600 11.4 kg	RST700 13.4 kg
	Clamp Base (kg)Weight	RS200 0.98 kg					
	Height Setting Shim (kg)Weight	RS201 0.05 kg					
	Insert Holder	RB200C12	RB200C16	RB200C22	RB200C12		
	Applicable Insert (kg)Weight	CCMT120404	TCMT16T304	TCMT220404	SCMT120404		
		0.68 kg					
CODE NO.		3220-250	3220-251	3220-252	3220-253	3220-254	3220-255