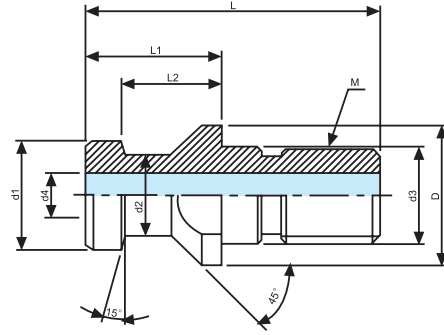




# Pull Studs

FOR DIN 69872



## DIN 69872, (WITH THROUGH HOLE)-A TYPE

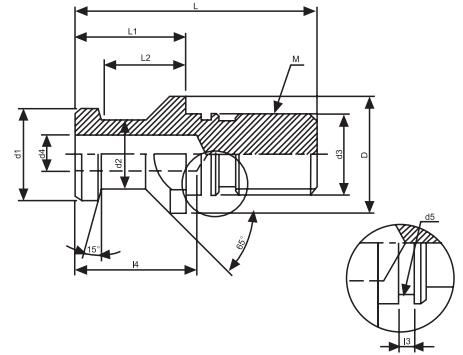
Unit:mm

ORDER NO.	TAPER NO.	L	L1	L2	D	d1	d2	d3	d4	M	CODE NO.
BT-522	DIN30-A	44	24	19	17	13	9	13		M12	3215-066
BT-523	DIN40-A	54	26	20	23	19	14	17	7	M16	3215-067
BT-524	DIN40-A-L	54	29	23	23	19	14	17	7	M16	3215-068
BT-525	DIN50-A	74	34	25	36	28	21	25	11.5	M24	3215-069

## WITHOUT O-RING DIN 69872-B TYPE

Unit:mm

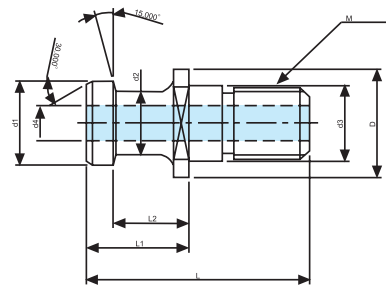
ORDER NO.	TAPER NO.	L	L1	L2	I3	I4	D	d1	d2	d3	d4	M	CODE NO.
BT-526	DIN30-B	44	24	19	1.4		17	13	9	13		M12	3215-070
BT-527	DIN40-B	54	26	20	1.9	27	23	19	14	17	7	M16	3215-071
BT-528	DIN50-B	74	34	25	3	37	36	28	21	25	11.5	M24	3215-072



# Pull Studs

## ISO-A TYPE

FOR ISO/DIS 7388/2/A

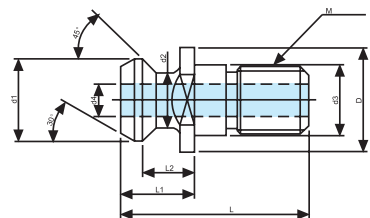


Unit:mm

ORDER NO.	TAPER NO.	L	L1	L2	D	d1	d2	d3	d4	M	CODE NO.
BT-529	ISO40-A	54	26	20	23	19	14	17	7	M16	3215-073
BT-530	ISO50-A	74	34	25	36	28	21	25	11.5	M24	3215-074

## ISO-B TYPE

FOR ISO/DIS 7388/2/B



Unit:mm

ORDER NO.	TAPER NO.	L	L1	L2	D	d1	d2	d3	d4	M	CODE NO.
BT-531	ISO40-B	44.5	16.4	11.15	22.5	18.95	12.95	17	7.35	M16	3215-075
BT-532	ISO50-B	65.5	25.5	17.95	37	29.1	19.6	25	11.55	M24	3215-076