



# Coolant Pump Kits

1/8 HP & 1/4 HP



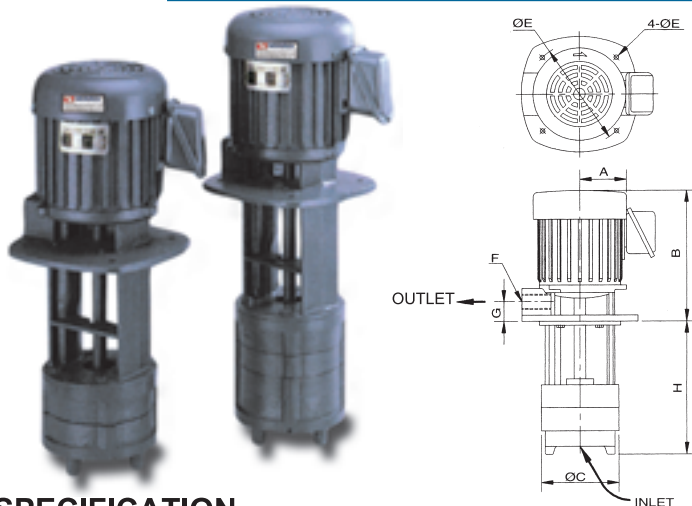
## SET INCLUDING

1. Coolant pump
2. Coolant tank
3. Connecting cable (w/plug for 1ph)
4. Coolant hose dit w/magnetic base
5. Flexible conveying hose
6. Drain hose
7. Tool kits
8. ON/OFF switch (for 1ph)

ITEM	ORDER NO.	VWP- 81-150K	VWP- 41-180K
Coolant pump (HPxH)		1/8 HP X 150mm	1/4 HP x 180mm
Tank size (LxWxH)		350x250x185mm	500x350x200mm
volume of coolant tank		16ℓ	35ℓ
Connecting cable		2000mm	2000mm
Coolant hose kits w/magnetic base (ØxL)		1/4"x330mm	3/8"x360mm
flexible conveying hose ( xL) Ø		3/8"x1500mm	3/8"x1500mm
Drain hose (ØxL)		1"x300mm	1-1/4"x400mm
Weight		10kgs	29kgs
CODE NO.		1026-030	1026-031



# Under Water Type Multi-stage High Pressure Coolant Pump



## SPECIAL FEATURES

- Discharge available in either N.P.T / P.T.
- Heavy duty bearings greased for long life and easy maintenance.
- Multi-stages., up to 6 stages for pressure over 9kg/cm<sup>2</sup> staggered discharge ports equalize radial loads for increasing pump life.
- Stainless steel made enclosed impeller., increasing pump efficiency and flow volumn.
- Rigid and strong one-piece shaft.

## SPECIFICATION

ORDER NO.	STAGE	HP	A	B	C	D	E	F	G	H	PRESSURE kg/cm <sup>2</sup> (PSI)	VOLUMETRIC DELIVERY (ℓ / min)		DELIVERY HEAD(m)	WEIGHT (kg)	CODE NO.
												EMULSION	COOLING OIL			
VWP-MS2-180	2	3/4	135	255	135	9	170	3/4" or 1"(option)	28	180	3 (42)	140	116	30	15	1026-040
VWP-MS2-250										250					15.5	1026-041
VWP-MS3-200	3	1	135	275	135	9	170	3/4" or 1"(option)	28	200	4.5 (64)	140	116	45	16	1026-042
VWP-MS3-270										270					17	1026-043
VWP-MS4-230	4	1 1/4	135	275	135	9	170	3/4" or 1"(option)	28	230	6 (85)	140	116	60	18	1026-044
VWP-MS4-260										260					19	1026-045
VWP-MS5-210	5	1 1/2	135	275	135	9	170	3/4" or 1"(option)	28	210	7.5 (106)	140	116	75	20	1026-046
VWP-MS5-250										250					21	1026-047