



Magnifying Fluorescent Work Light



VHL-30TEB
BENCH TYPE



VHL-30TEBII
BENCH TYPE

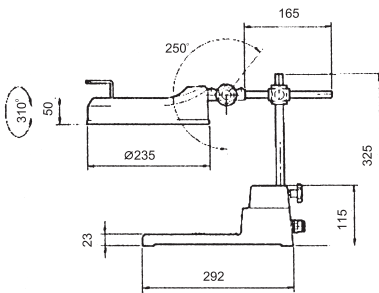


VHL-30MEB

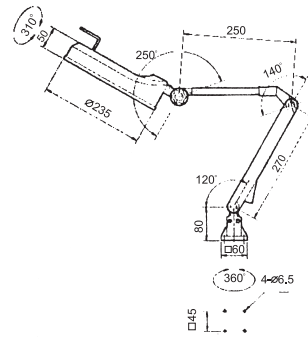


3X auxiliary lens(optional)

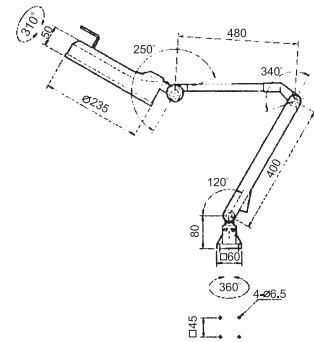
VHL-30LEB



VHL-30TEB VHL-30TEBII BENCH TYPE

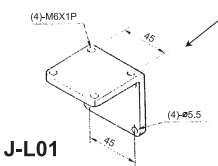


VHL-30MEB MEDIUM ARM



VHL-30LEB LONG ARM

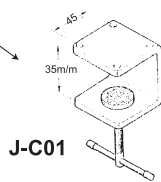
•OPTION



J-L01

• MOUNTING ANGLE
PLATE

•STANDARD



J-C01

• MOUNTING CLAMP

•OPTIONAL

ORDER NO. VHL-3X
3X magnifier lens

ORDER NO.	WEIGHT (kg)	CODE NO.
VHL-30TEB	4	1025-060
VHL-30TEB II	4	1025-061
VHL-30MEB	3.5	1025-062
VHL-30LEB	3.5	1025-063
J-L01	0.4	1025-014
VHL-3X	0.4	1025-065

* All work lights are with 3X magnifier lens, If you need 6 times, you have to choose VHL-3X extraly.

VHL-30TEB

- Bench type model.
- Constructed with a wide base for placing object, allowing it especially suited for inspection lighting.
- Electronic ballast is built in arm.
- Accepts 22 watt fluorescent tube.
- 110V, or 220V operation. Supplied single voltage only. Specify desired voltage when ordering.
- Furnished with 1.8 meter cord with plug. Extended cord length is available when required.

VHL-30TEB II

- Same as mode VHL-30TEB, but except with acrylic board on base for lighting through requirement.

VHL-30 MEB

- Medium arm model.
- Electronic ballast is built in arm.
- Accepts 22 watt fluorescent tube.
- 110V, or 220V operation. Supplied single voltage only. Specify desired voltage when ordering.
- Furnished with 1.8 meter cord with plug. Extended cord length is available when required.

VHL-30 LEB

- Long arm model.
- Electronic ballast is built in arm.
- Accepts 22 watt fluorescent tube.
- 110V, or 220V operation. Supplied single voltage only. Specify desired voltage when ordering.
- Furnished with 1.8 meter cord with plug. Extended cord length is available when required.

Designed with a magnifier lens on luminaire head giving 3 times of magnification 3x than acrual object.

The fluorescent lighting provides day light effect without flash.