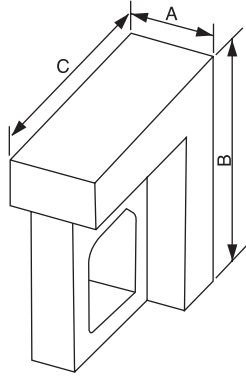




# Precision Right Angle Plate



- Made of finest quality castings, stress relieved.
- All outside surfaces closely finished for square and parallel references:

Precision ground: Square within 0.01mm per 100mm

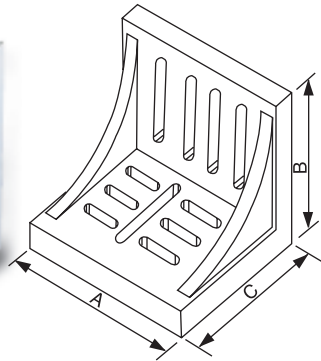
Parallel within 0.01mm per 100mm

Unit:mm

ORDER NO.	Approx Dimensions			WEIGHT	CODE NO.
	A	B	C		
VRH-4	102	126	150	7 kgs	1013-001
VRH-5	126	202	300	19 kgs	1013-002
VRH-6	150	150	202	15 kgs	1013-003
VRH-8	202	250	300	32.5 kgs	1013-004



# Right Angle Plate



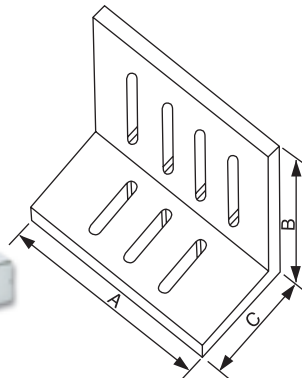
- Made of high tensile cast iron
- Webbed style accurately grounded, square and parallel on outside faces and ends within 0.01mm per 100mm

Unit:mm

ORDER NO.	Approx Dimensions			WEIGHT	CODE NO.
	A	B	C		
VR-6	150	126	115	3.5 kgs	1013-010
VR-8	202	150	126	7 kgs	1013-011
VR-10	250	202	126	12 kgs	1013-012
VR-12	300	228	202	25 kgs	1013-013



# Slotted Angle Plates



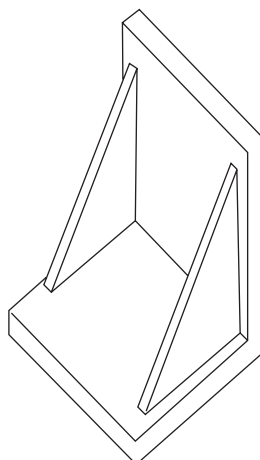
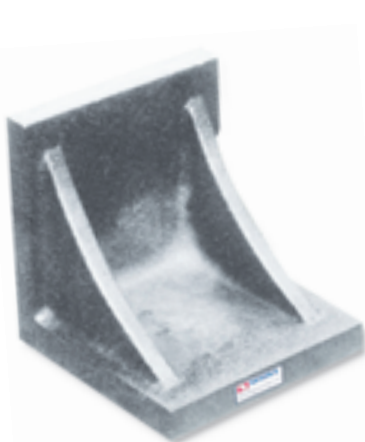
Many sizes also stocked with precision ground finish, prices on request.

- Made of high tensile cast iron properly seasoned against distortion.
- Open end style accurately machined square and parallel on all faces.

ORDER NO.	Approx Dimensions			APPROX WEIGHT	CODE NO.
	A	B	C		
VR-45	4-1/2"	3-1/2"	3"	1.6 kgs	1013-020
VR-60	6"	5"	4-1/2"	4.5 kgs	1013-021
VR-80	8"	6"	5"	7 kgs	1013-022
VR-100	10"	8"	6"	14.5kgs	1013-023
VR-120	12"	9"	8"	24 kgs	1013-024



# Plain Angle Plates



## Machined or precision ground

- Made from high tensile cast iron - normalized and stress relieved.
- Machined: Flat and square within .002" per 6" for general work.
- Precision ground: Flat and square within .0005" per 6" for layout and inspection or precision machining.

ORDER NO.	Size in inches	APPROX WEIGHT	CODE NO.
VR-22	2 x 2 x 2	0.5 kgs	1013-030
VR-33	3 x 3 x 3	1.1 kgs	1013-031
VR-44	4 x 4 x 4	2.5 kgs	1013-032
VR-55	5 x 5 x 5	4 kgs	1013-033
VR-66	6 x 6 x 6	7 kgs	1013-034
VR-88	8 x 8 x 8	13 kgs	1013-035
VR-1010	10 x 10 x 10	26 kgs	1013-036
VR-1212	12 x 12 x 12	43.5kgs	1013-037